

# AC/DC Hour Meter FOR HIGHLY VIBRATING MACHINES

## Two Hole

Panel Mount  
Series N430

Model Code N430 0200 8111 0000



IMD Europe GmbH · Auf dem Molzberg 2 · D-57548 Kirchen

### Quality Features



Absolut dust-, fresh-, & saltwater resistant till 20m underwatersurface.



Due to a self-contained battery it has a life cycle of 12 years.



Extrem shock proof up to at least 45G.



High contrast LCD display is always lit and is polarized to prevent discoloration from UV exposure.



Pressure washer cleaning possible.



No polarity = easy to install

### Product Pictures

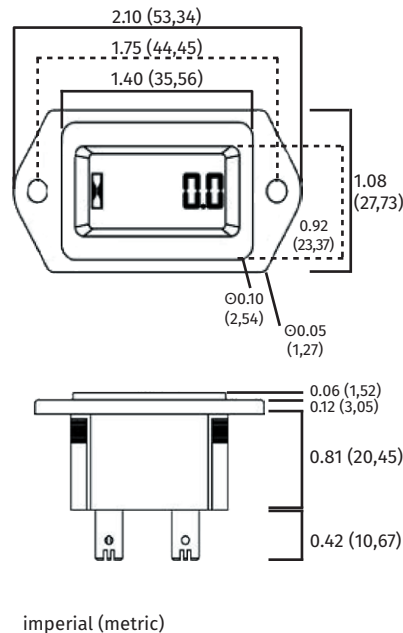
Top View



Perspective View



### Cutout Diameter



### OEM and Packaging

Bubble Wrap Bag

- Hour Meter



### Apply for

For any device with key-switch start and electrical hookup.

5- 277 VDC or AC 50/60 Hz

For three-phase-devices where the plus terminal has to be linked to one face and the minus terminal has to be linked to neutral.

For highly vibrating machines.

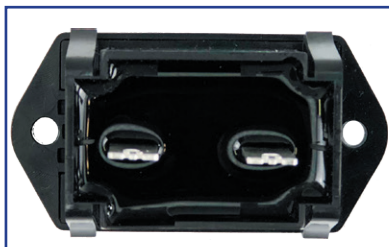


### Integrated Functions

for N430 0200 8111 0000  
Hours only

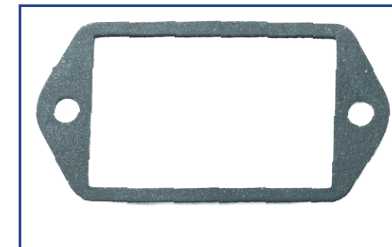
No Timer  
No Service Alerts

### Installation Instruction



In-line hookup:  
- Input 5-277V AC/DC  
- non-polarized  
- Input impedance: 2m

### Accessory



Gasket  
Although our products are certified water resistant there are other non-waterproof products integrated in the equipment. GDI-Gaskets are the perfect solution for protecting other gadgets from getting wet.