

# Inductive Hour Meter FOR PETROL ENGINES

Surface Mount  
Series N110  
Model Code N110 0100 0071 0003



IMD Europe GmbH · Auf dem Molzberg 2 · D-57548 Kirchen

## Quality Features

-  Absolut dust-, fresh-, & saltwaterresistant till 20m underwatersurface.
-  Due to a self-contained battery it has a life cycle of 12 years.
-  Extrem shock proof up to at least 55G (depending on the product the manage up to 90G)
-  High contrast LCD display is always lit and is polarized to prevent discoloration from UV exposure.
-  Pressure washer cleaning possible.

## Product Pictures

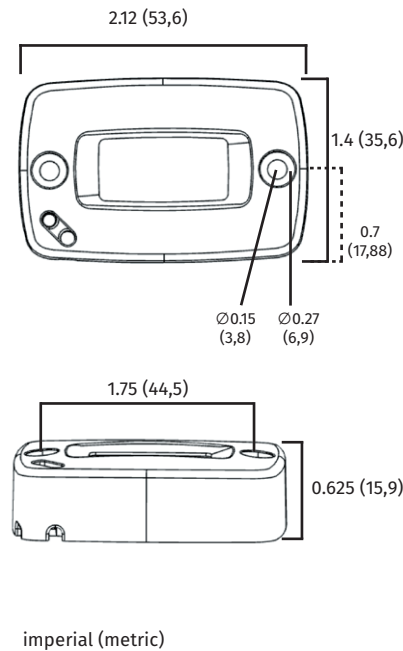
Top View



Perspective View



## Mechanical Specification



## OEM and Packaging

Blister Card Design Pack.  
All hardware included.

- Hour Meter
- Pick up wire
- Screws
- Manual



## Apply for

For all petrol engines with 1 or 2 cylinders.

- Marine
- Motor sport
- Home and Garden



## Integrated Functions

for N110 0100 0071 0003  
Hours only

No Timer  
No Service Alerts

## Mounting Scheme



## Installation Instruction

- Pull pickup wire through the meter from bottom through the pickup hole. Place the end of the wire into the dead end hole and pull it tight. Determine where the exit of the pickup wire should be (front or side).
- Mount the meter with screws or double-sided tape. Mount only on flat surfaces. Bolting pressure must be under the display to avoid tension.
- SPARK PLUG WIRE MOUNTING  
Wrap the meter pickup wire tight around the spark plug wire 4 to 5 times and fix it with the supplied tie wrap.

