


**2 POLI - MONOFASE**  
**SENZA SPAZZOLE - CONDENSATORE**

- > Autoregolati
- > IP 23
- > Tensione standard: 230 V - 50 Hz
- > A richiesta carica batteria 12 Vdc 10A
- > Corrente di cortocircuito superiore a 3 In
- > Accoppiamenti: IM B34, IM B35, SAE

**2 POLES - SINGLE PHASE**  
**BRUSHLESS - CAPACITOR**

- > Self-regulated
- > IP 23
- > Standard voltage: 230V - 50 Hz
- > On request battery charger 12 Vdc 10A
- > Short circuit current greater than 3 In
- > Couplings: IM B34, IM B35, SAE

**EK**

model	power		$\eta$ 4/4 p.f. 1		mass Kg (approx)	dimensions									
	kVA	%	kVA	%		A	A'	B	C	D	A1	A1'	B1	C1	D1
	50 Hz - 3000 r.p.m.		60 Hz - 3600 r.p.m.			IM B34 - IM B 35 c.23 - c.30 IM B34 - J609b									
EK 2 MCT	6,0	79	7,5	80	25,9	358	365	69	315	283	374	381	85	331	283
EK 2 LAT	7,0	80	8,8	83	30,5	413	420	124	370	338	429	436	140	386	338
EK 2 LCT	8,0	81	10	83	34,7	413	420	124	370	338	429	436	140	386	338

**2 POLI - MONOFASE**  
**A SPAZZOLE - AVR**

- > Autoregolati
- > IP 23
- > Tensione standard: 230 V - 50 Hz
- > A richiesta carica batterie 12 Vdc 10A
- > Corrente di cortocircuito superiore a 3 In
- > Accoppiamenti: IM B34, IM B35, SAE

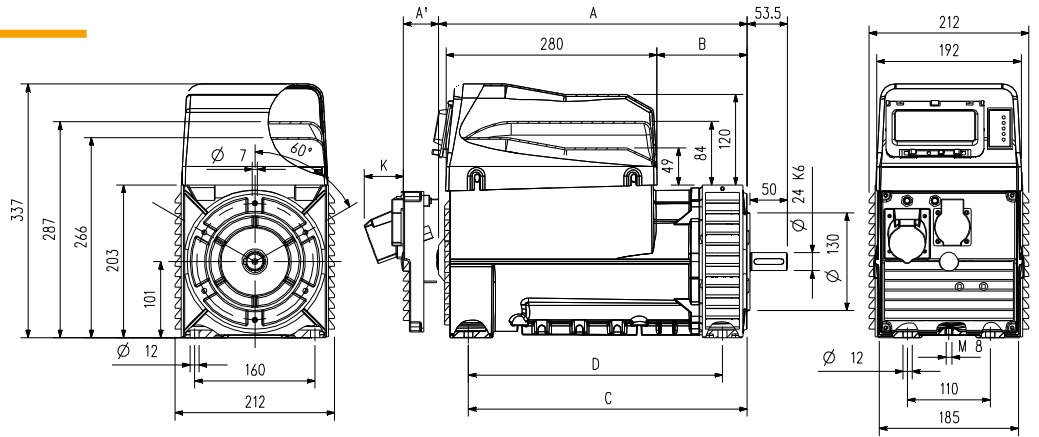
**2 POLES - SINGLE PHASE**  
**BRUSHES - AVR**

- > Self-regulated
- > IP 23
- > Standard voltage: 230V - 50 Hz
- > On request battery charger 12 Vdc 10A
- > Short circuit current greater than 3 In
- > Couplings: IM B34, IM B35, SAE

**EK/R**

model	power		$\eta$ 4/4 p.f. 1		mass Kg (approx)	dimensions									
	kVA	%	kVA	%		A	A'	B	C	D	A1	A1'	B1	C1	D1
	50 Hz - 3000 r.p.m.		60 Hz - 3600 r.p.m.			IM B34 - IM B 35 c.23 - c.30 IM B34 - J609b									
EK 2 LAA	6,0	79	7,5	80	31,1	413	420	124	370	338	429	436	140	386	338
EK 2 LCA	8,0	81	10	83	35,3	413	420	124	370	338	429	436	140	386	338

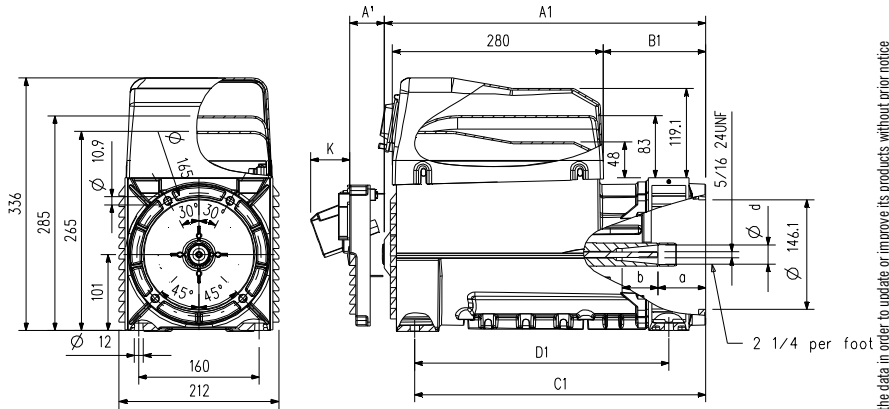
IM B34 - B3/B14



IM B35 - J609b (c22,14 / 25,4 / 35)

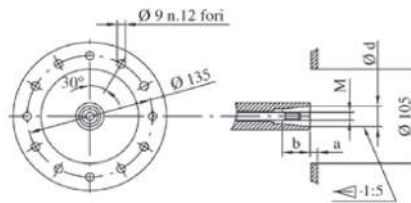
cone	shaft		
	d	a	b
22,14	22,14	81	32
25,4	25,4	63,5	49,5
35	30	39	72

K	
prese Schuko / Schuko sockets	16
prese CEE / CEE sockets	47



B3/B9 (c23 / 30)

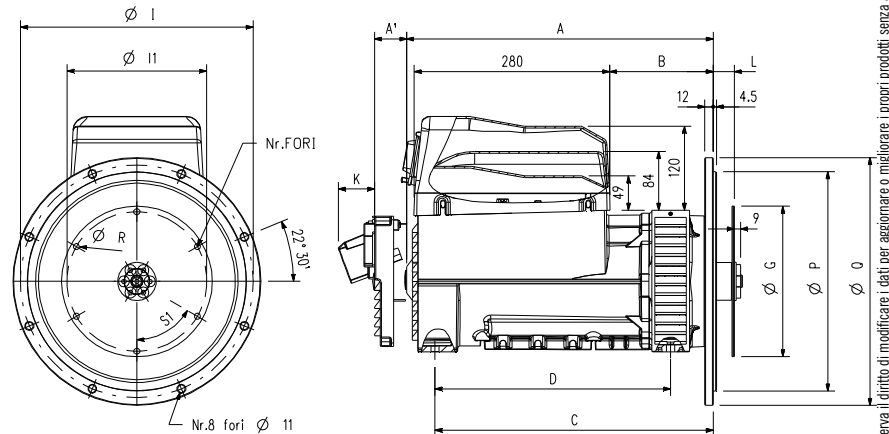
shaft			
d	a	b	M
23	8	30	M8
30	16	30	M14



SAE5, SAE6

from		dimensions				
		A	A'	B	C	D
EK 2 M	IM35 C.30	370	377	81	327	283
EK 2 L	IM35 C.30	425	432	136	382	338
EK 2 M	IM35 J609b C.35	386	393	97	343	283
EK 2 L	IM35 J609b C.35	441	448	152	398	338

disk joint	flange SAE							
	6	5	L	G	I1	holes	R	S1
6,5	°	°	30,2	215,9	200	6	9	60°
7,5	°	°	30,2	241,3	222,2	8	9	45°
8	°	°	62	263,5	244,5	6	11	60
P	266,7	314,3						
Q	308	358						
I	285,8	333,4						



SAE6 solo su richiesta - SAE6 only on request